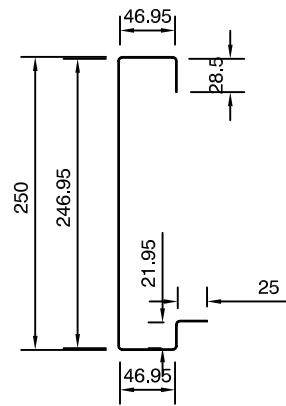
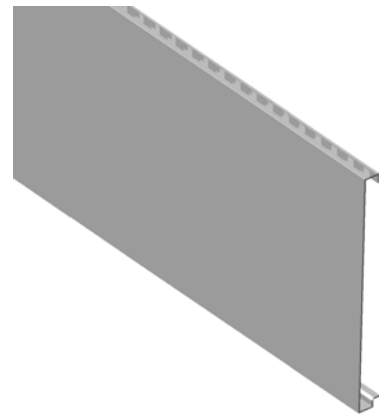


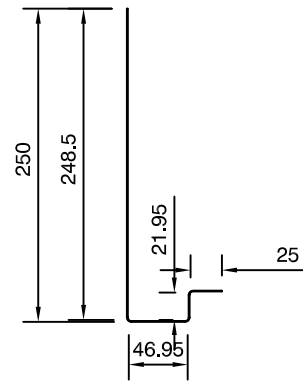
IF IN DOUBT - ASK



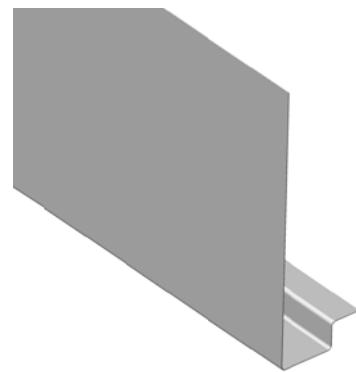
FF250F-PS



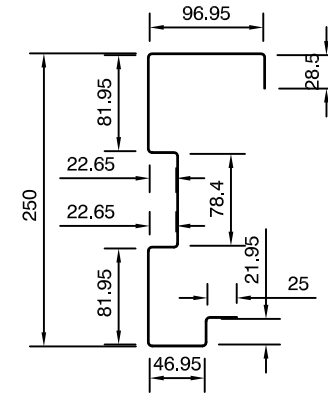
3 D



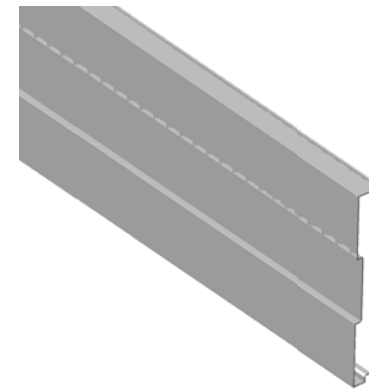
FFB250F-PS



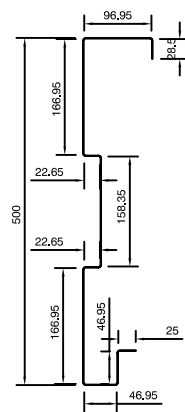
3 D



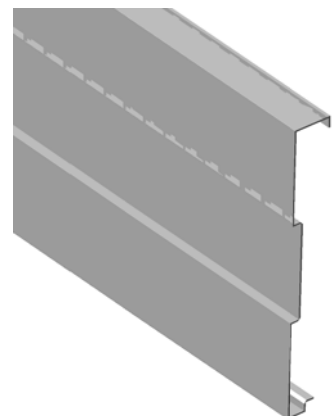
CF250F-PS



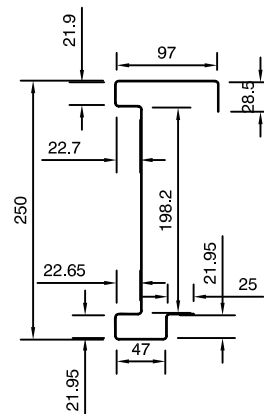
3 D



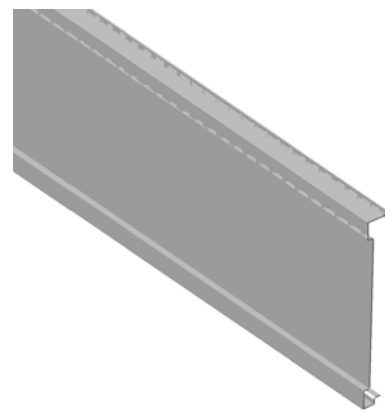
CF500F-PS



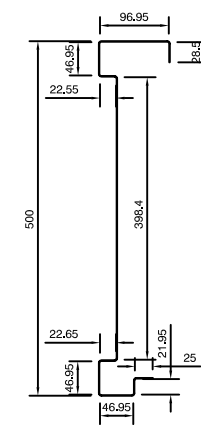
3 D



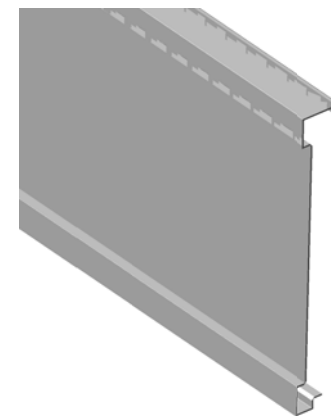
IF250F-PS




3 D



IF500F-PS



3 D

 <b>Ash &amp; Lacy</b> building systems		Development BROMFORD LANE WEST BROMWICH WEST MIDLANDS B70 7JJ. TEL: 0121-525-1444 FAX: 0121-525-2444 E-mail: ashtech@ashandlacybp.co.uk	
		DRAWING STATUS - <h2 style="text-align: center;">PRELIMINARY ISSUE</h2>	
REV.	BY	AMENDMENTS	DATE
DRAWN BY- C.J.		SCALE- NTS	DATE- 01/07/08
CLIENT- A & L		SITE- West Bromwich	
TITLE- Flat Fascia Flush General Arrangement		DRAWING No- IF500F-GA	REV-